

VTX-4S – 4 Port SD/SDTI/DVB-ASI Video Module

VTX-4S – 4 Port SD/SDTI/DVB-ASI Video Module

The VTX-4S module is a four port video transmitter supporting SD-SDI, SDTI or DVB-ASI signals.

KEY FUNCTIONS:

- External interface to SD/SDTI/DVB-ASI user circuit
- Internal electrical interface to MD8000 SW-CNT modules

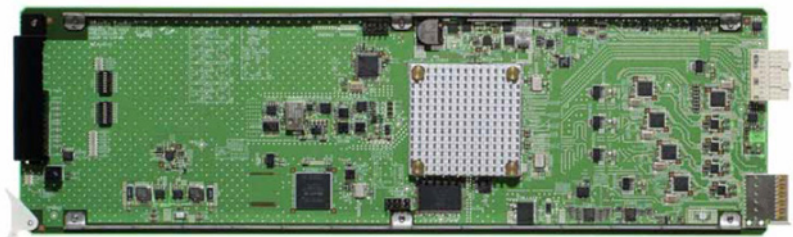
KEY FEATURES:

- Accepts 1-4 input signals
- Front Panel LED indicators for all four inputs
- SD-SDI input: 525i (59.94Hz), 625i (50Hz), SMPTE 259M. Can carry up to 8 audio channels
- SDTI: SMPTE 305M
- DVB- ASI: MPEG2-TS, operates in byte or burst mode
- Granular bandwidth allocation
- Forward Error Correction (FEC)
- Active Output monitor
- Four 75 ohm electrical inputs, BNC connectors
- Selectable VLAN priority
- Selectable ASI bandwidth: 5Mbps to 270Mbps

The VTX-4S module is a four port video transmitter supporting SD-SDI, SDTI or DVB-ASI signals. The VTX-4S transmits Ethernet packets to the MD8000 Switch Controller (SW-CNT) which then sends them to the appropriate trunk module and out to the wide area network. Each encapsulated Ethernet stream originating on this module is independent and can have a unique destination or multiple destinations in the network.

The VTX-4S provides robust Forward Error Correction (FEC) and Lossless/Hitless path protection switching (on the VRX-4S card) for reliable signal transport. In addition to uncompressed SDI or SDTI inputs, CBR (Constant Bit Rate) DVB-ASI signals in either byte or burst mode can be accepted by the VTX-4/s.

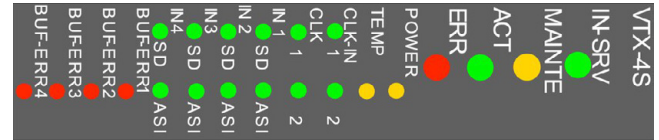
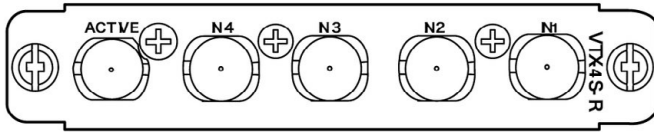
The front panel of the VTX-4S module features a comprehensive set of LEDs for monitoring the status and health of incoming video streams. On the rear interface card, an Active Output port is provided for signal monitoring. Using SNMP, the module is fully manageable by Media Links' NMS systems.



MD8000 - VTX-4S – 4 Port SD/SDTI/DVB-ASI Video Module

APPLICATIONS:

- Carrier Class Media Networks
- Flawless Contribution Video-Transport
- High Performance Studio Interconnects
- Reliable Content Delivery Systems
- Integrated Live, Recorded and File-Based Communications

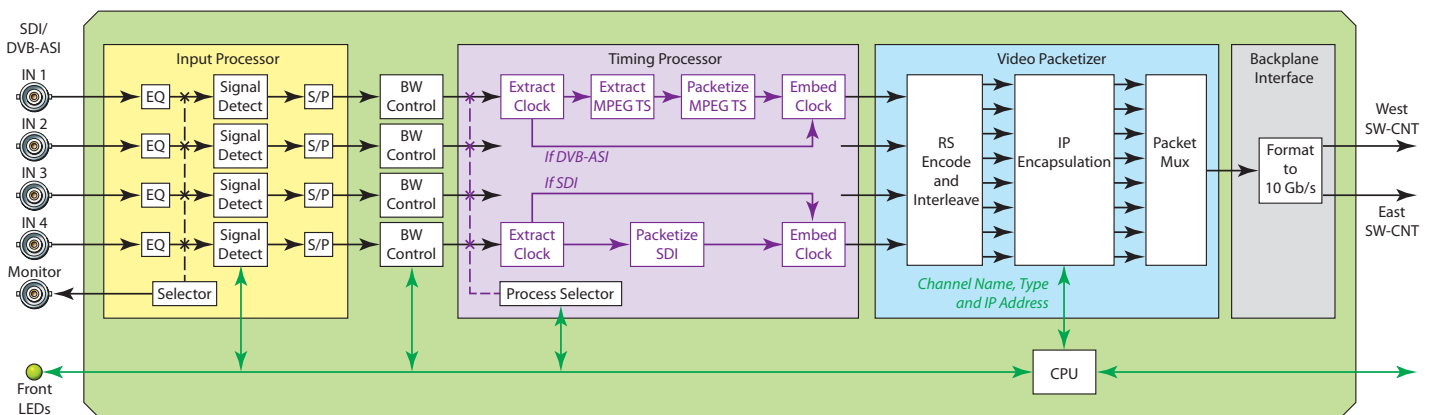


NAME	TYPE	DESCRIPTION
IN1	BNC (75 Ohm)	SD-SDI or DVB-ASI Signal Input 1
IN2	BNC (75 Ohm)	SD-SDI or DVB-ASI Signal Input 2
IN3	BNC (75 Ohm)	SD-SDI or DVB-ASI Signal Input 3
IN4	BNC (75 Ohm)	SD-SDI or DVB-ASI Signal Input 4
ACTIVE	BNC (75 Ohm)	Active Output of one of the inputs

Rear Board Connectors

NAME	CONDITION TO ILLUMINATE
IN-SRV	● Status Monitored
MAINTEN	● Under Maintenance
ACT	● Normal Operation
ERR	● Board Failure Detected
POWER	● Board Power Voltage Low (Warning)
TEMP	● Board Temperature High (Warning)
CLK-IN1/2	● Unused
CLK1/2	● Unused
IN 1-4 SD/ASI	IN1-4 Signal Type ● SD: SD-SDI ● ASI: DVB-ASI
BUF-ERR1	● DVB-ASI Buffer Overflow at IN1
BUF-ERR2	● DVB-ASI Buffer Overflow at IN2
BUF-ERR3	● DVB-ASI Buffer Overflow at IN3
BUF-ERR4	● DVB-ASI Buffer Overflow at IN4

Front Panel LEDs



MD8000 – VTX-4S – 4 Port SD/SDTI/DVB-ASI Video Module Block Diagram

FUNCTIONAL SPECIFICATIONS:

Input	SD-SDI	Format	625i (50 Hz), 525i (59.94 Hz); SMPTE 259M
		Audio / ANC	Full VANC / HANC
		Interface	SMPTE 259M
	SDTI	Interface	SMPTE 305M
	DVB-ASI	Format	MPEG2TS
	All	Connectors	4x BNC Female
		Impedance	75 Ohm, unbalanced
		Return Loss	15 dB or more (5 MHz - 270 MHz)
Max. Cable Length		200 m for SDI, 100 m for DVB-ASI (at 5C-2V coax cable)	
Active Output	All	Signal Amplitude	800 mVp-p \pm 10% (75 Ohm Load)
		Rise Time	0.4 - 1.5 ns (at 20% - 80% amplitude)
		Fall Time	0.4 - 1.5 ns (at 20% - 80% amplitude)
		ABS (Rise-Fall)	0.5 ns or less
		impedance	75 Ohm, unbalanced
		Return Loss	15 dB or more (5 MHz - 270 MHz)
		DC Offset	0.0 V \pm 0.5 V
		Jitter	Timing: 0.2 UI or less Alignment: 0.2 UI or less

ORDERING INFORMATION

MODEL	ORDER NUMBER	ORDER CODE
SD/SDTI/DVB-ASI 4 Port Uni-Directional Video Module TX	MD801009	V-TX-4Sch-F
4 Port DVB-ASI Encoder Module TX with COP3 Encapsulation, FEC & ARP/GARP	MD801039	V-TX-4Sch-F(2022)

Media Links (Headquarters)
Kawasaki Tech Center 18F
580-16 Horikawa-cho,
Saiwai-ku, Kawasaki-shi,
Kanagawa 212-0013 Japan
Phone: +81 44-589-3440
query@medialinks.co.jp

Media Links Americas
431-C Hayden Station Road
Windsor, CT 06095
USA
Phone: +1 860-206-9163
Fax: +1 860-206-9165
info@medialinks.com

Media Links Australia
2-12 Rokeby Street,
Collingwood, VIC 3066,
Australia
Phone: +61 3-9017-0175
Fax: +61 3-8456-6339
info@medialinksaustralia.com.au

Media Links EMEA
Thremhall Park
Start Hill, Bishop's Stortford,
Herts CM22 7WE
United Kingdom
Phone: +44(0)1279 874371
emea_info@medialinks.com

MEDIA LINKS®
Media Defined Networking®

www.medialinks.com