

# MD8000 Series - 2 Port OC-3/STM-1 Trunk Module

## 2 Port OC-3/STM-1 Trunk Module

The two Port OC-3/STM-1 Trunk Module is ideal for connecting any of Media Links' MD8000 devices to SONET/SDH networks at rates of 155Mbps.

### KEY FUNCTIONS:

- GFP Support for IP Network Integration
- STS / VC concatenation for efficient network utilization

### KEY FEATURES:

- Pluggable SFP Optics with CWDM / DWM supported
- Dual Port OC-3 / STM-1 SONET / SDH Card

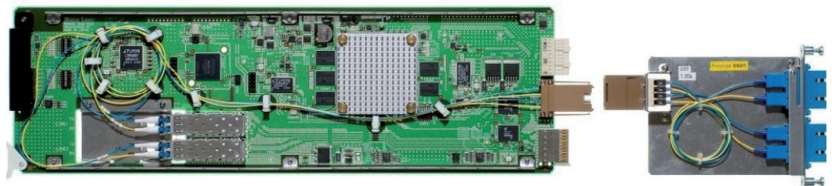
### APPLICATIONS:

- Carrier Class Media Networks
- High Performance Studio Interconnects
- Flawless Contribution Video Transport
- Reliable Content Delivery Systems
- Integrated Live, Recorded and File-Based Communications

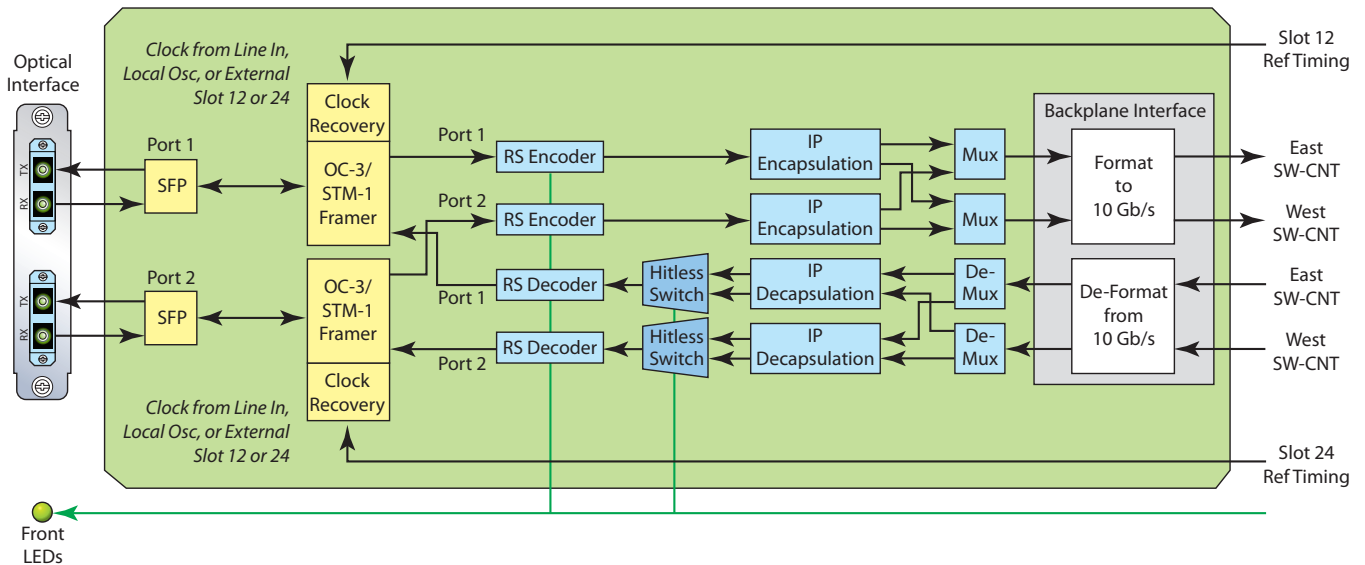
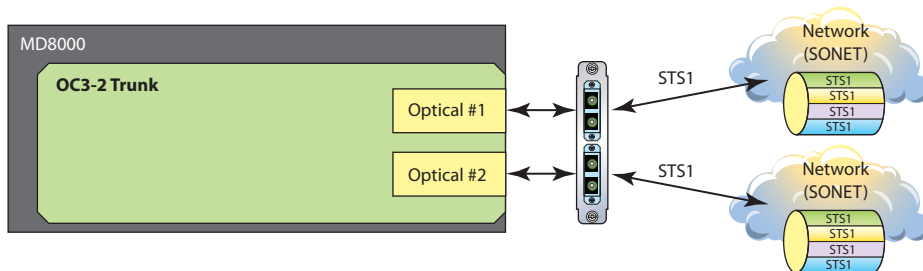
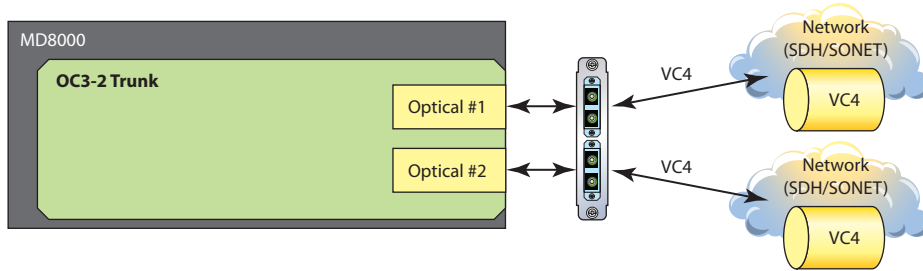
The two Port OC-3/STM-1 Trunk Module is ideal for connecting any of Media Links' MD8000 devices to SONET/SDH networks at rates of 155Mbps. Using a non-blocking Layer 2 Switch Fabric, Ethernet frames from an OC-3/STM-1 Trunk Module are sent to the dual Switch Controllers (SW-CNT modules) across the chassis backplane. For route diversity, this trunk module is equipped with dual SONET/SDH interfaces.

For efficient multiplexing and easy integration with carrier IP networks, the trunk card supports the ITU G.7041 Generic Framing Procedure (GFP). Various concatenation modes are also supported, including VC4 only within SDH STS/VC concatenation modes. For SONET, the logical path can be defined as 1 x STS-3 or 3 x STS-1, delivering optimal core network utilization and multi-service termination on a single trunk port.

The two Port OC-3/STM-1 Trunk Module accepts small form factor pluggable (SFP) optics to support optical budgets of 10km, 40km, 80km and 120km. Newer SONET/SDH compatible wavelength division multiplexing technologies such as CWDM/DWDM are also fully supported.



MD8000 - 2 Port OC-3/STM-1 Trunk Module



MD8000 - 2 Port OC-3/STM-1 Trunk Module Application Diagrams

### FUNCTIONAL SPECIFICATIONS:

| Parameter                |                       | IR-1 (≤15km)               | LR-1 (≤40km) | LR-2 (≤80km)      |            |
|--------------------------|-----------------------|----------------------------|--------------|-------------------|------------|
| Physical Characteristics | Transport Media       | Single mode Fiber          |              |                   |            |
|                          | No. of fibers used    | 2 (1 for In and 1 for Out) |              |                   |            |
|                          | Connector Type        | SC                         |              |                   |            |
| Optical Characteristics  | Data Rate             | 155.52 MbpS                |              |                   |            |
|                          | Wavelength            | 1261nm ~ 1360 nm           |              | 1480 nm ~ 1580 nm |            |
|                          | Input Level           | Max                        | - 8.0 dBm    | - 10.0 dBm        | - 10.0 dBm |
|                          |                       | Min                        | - 28.0 dBm   | - 34.0 dBm        | - 34.0 dBm |
|                          | Output Level          | Max                        | - 8.0 dBm    | - 5.0 dBm         | - 5.0 dBm  |
| Min                      |                       | - 15.0 dBm                 | 0.0 dBm      | 0.0 dBm           |            |
| Power Consumption        |                       | 23VA or less               |              |                   |            |
| Standards                | OC-3                  | Telcordia GR-253-CORE      |              |                   |            |
|                          | STM-1 (international) | ITU-T G.707                |              |                   |            |
|                          | GFP                   | ITU-T G.7041               |              |                   |            |

### ORDERING INFORMATION

| MODEL  | ORDER NUMBER | ORDER CODE             |
|--|--------------|------------------------|
| 2 Port OC-3 / STM-1 Trunk Module, w/o Optics | MD802824     | OC3-2Trunk+LS(no Opt.) |

### OPTICAL PLUG-IN (SFP)

| MODEL  | ORDER CODE      |
|--|-----------------|
| OC-3 / STM-1 SFP Optical Module, 1310 nm, 15 km, ROHS, Digital Diagnostics | SFP-1310-155-15 |
| OC-3 / STM-1 SFP Optical Module, 1310 nm, 40 km, ROHS, Digital Diagnostics | SFP-1310-155-40 |
| OC-3 / STM-1 SFP Optical Module, 1310 nm, 80 km, ROHS, Digital Diagnostics | SFP-1310-155-80 |

Media Links (Headquarters)  
Kawasaki Tech Center 18F  
580-16 Horikawa-cho,  
Saiwai-ku, Kawasaki-shi,  
Kanagawa 212-0013 Japan  
Phone: +81 44-589-3440  
query@medialinks.co.jp

Media Links Americas  
431-C Hayden Station Road  
Windsor, CT 06095  
USA  
Phone: +1 860-206-9163  
Fax: +1 860-206-9165  
info@medialinks.com

Media Links Australia  
2-12 Rokeby Street,  
Collingwood, VIC 3066,  
Australia  
Phone: +61 3-9017-0175  
Fax: +61 3-8456-6339  
info@medialinksaustralia.com.au

Media Links EMEA  
Thremhall Park  
Start Hill, Bishop's Stortford,  
Herts CM22 7WE  
United Kingdom  
Phone: +44(0)1279 874371  
emea\_info@medialinks.com

**MEDIA LINKS®**  
Media Defined Networking®

[www.medialinks.com](http://www.medialinks.com)