

FE-4S – 4 Port 10/100 BaseT Fast Ethernet Module

FE-4S – 4 Port 10/100 BaseT Fast Ethernet Module

The FE-4S module is designed to transport up to four 10/100 BaseT Fast Ethernet channels across an MD8000 network.

KEY FUNCTIONS:

- External interface to 10/100 BaseT user circuits
- Electrical Interface, RJ-45 connector
- Transparent data transmission with robust FEC
- Hitless Path Failure Protection

KEY FEATURES:

- 4 fully Independent Ethernet Circuits
- UTP CAT5 Interface
- Automatic Rate Negotiation

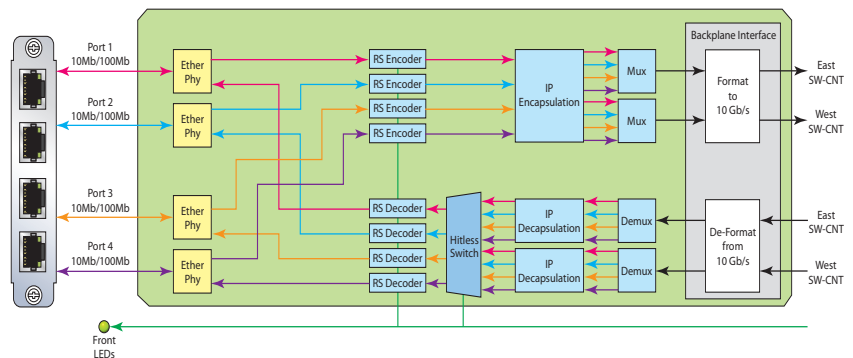
APPLICATIONS:

- LAN Extension
- WAN Access Circuit
- Network Management and Telemetry
- File Transfer

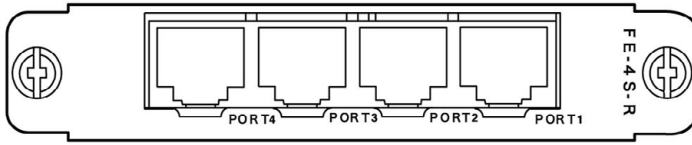
The FE-4S module is designed to transport up to four 10/100 BaseT Fast Ethernet channels across an MD8000 network. Each of these four channels operates at full wire speed rates and is completely independent and bi-directional, ensuring that data on each of the individual ports is kept separate.

As with all other MD8000 line cards, data traffic sent into this card are encapsulated into Ethernet frames and transferred to the MD8000 Switch Controller (SW-CNT) modules. Received data traffic in the reverse direction is sent by the SW-CNT, accepted at the FE-4S module, and output as 1-4 unique 10/100 BaseT output signals. For improved transport resiliency and reliability, Forward Error Correction (FEC) and hitless switching options may be used with this line module.

All four ports support Full-Duplex and Auto-Negotiation. Bandwidth for individual ports can be provisioned at the following rates: 1Mbps, 2.5Mbps, 5Mbps, 10Mbps, 20Mbps, 30Mbps, 40Mbps, 50Mbps, 75Mbps and 100Mbps. The front panel of the FE-4S module features a comprehensive set of LEDs for monitoring the status and health of incoming and outgoing channels. Using SNMP, the module is also fully manageable by Media Links' NMS systems.

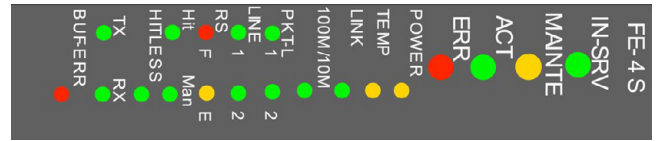


MD8000 - FE-4S – 4 Port 10/100 BaseT Fast Ethernet Module Block Diagram



NAME	TYPE	DESCRIPTION
Port 1-4	RJ45	Ethernet In/Out Ports 10BASE-T/100BASE-TX Auto Negotiation

Rear Board Connectors



NAME	CONDITION TO ILLUMINATE
IN-SRV	● Status Monitored
MAINT	● Under Maintenance
ACT	● Normal Operation
ERR	● Board Failure Detected
POWER	● Board Power Voltage Low (Warning)
TEMP	● Board Temperature High (Warning)
TEMP	● Link is established
100M/10M	● Linked at 10Mbps
PKT-L1/2	Input stream of the selected channel ● 1: Packet input from Line 1 ● 2: Packet input from Line 2
LINE1/2	● SWCNT for the selected channel 1: SWCNT #1; 2: SWCNT #2
RS-F/E	● RS-F: Uncorrectable Error Detected ● RS-E: Correctable Error Detected
Hit/Man	● Hit: Hitless Switching mode ● Man: Manual Switching mode
Hitless	● Hitless Switching can be enabled
TX/RX	● TX: Transmitting Frames ● RX: Receiving Frames
BUF-ERR	● Buffer Overflow

Front Panel LEDs

FUNCTIONAL SPECIFICATIONS:

Ethernet	Data Rate	10 Mbps / 100 Mbps
	Access Method	CSMA / CD Full-Duplex
	Frame Structure	iEEE 802.3ab
	Transmission Method Transmission Code	10BASE-T Transmission Method = Baseband Transmission Code = Manchester 100BASE-TX Transmission Method = Baseband Transmission Code = 4B/5B+MTL-3
	Transmission Media	10BASE-T UTP CAT3 or higher 100BASE-TX UTP CAT5 or higher
	Maximum Cable Length	100 m
Encapsulation	Network Protocol	IP v4
	Packet Size	1500 Bytes (including the IP Header)

ORDERING INFORMATION

MODEL	ORDER NUMBER	ORDER CODE
4 Port 10/100BT Fast Ethernet Module (4 duplex service)	MD801008	FE-4Sch-F

Media Links (Headquarters)
Kawasaki Tech Center 18F
580-16 Horikawa-cho,
Saiwai-ku, Kawasaki-shi,
Kanagawa 212-0013 Japan
Phone: +81 44-589-3440
query@medialinks.co.jp

Media Links Americas
431-C Hayden Station Road
Windsor, CT 06095
USA
Phone: +1 860-206-9163
Fax: +1 860-206-9165
info@medialinks.com

Media Links Australia
2-12 Rokeby Street,
Collingwood, VIC 3066,
Australia
Phone: +61 3-9017-0175
Fax: +61 3-8456-6339
info@medialinksaustralia.com.au

Media Links EMEA
Thremhall Park
Start Hill, Bishop's Stortford,
Herts CM22 7WE
United Kingdom
Phone: +44(0)1279 874371
emea_info@medialinks.com