

AIF-2S – 4 Port / 2 Services AES Audio Module

AIF-2S – 4 Port / 2 Services AES Audio Module

The bi-directional AIF-2S module supports the widely deployed AES3 digital audio standard.

KEY FUNCTIONS:

- External interface to AES user circuits
- Electrical Interface
- Transparent connectivity with Robust FEC
- Hitless Path Failure Protection

KEY FEATURES:

- Two Bi-directional Services
- AES Unbalanced Electrical Interface
- Coax Interface, using 75 ohm BNC connectors
- Tx & Rx in one Module
- Low 8.6ms delay

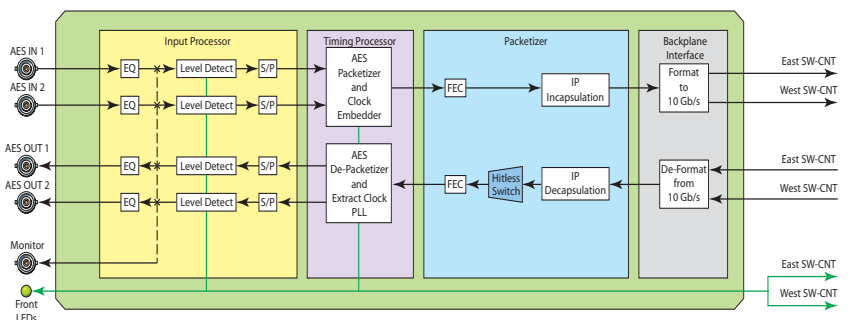
APPLICATIONS:

- Carrier Class Media Networks
- High Performance Studio Interconnects
- Flawless Contribution Audio Transport
- Reliable Content Delivery Systems
- Integrated Live, Recorded and File-Based Communications

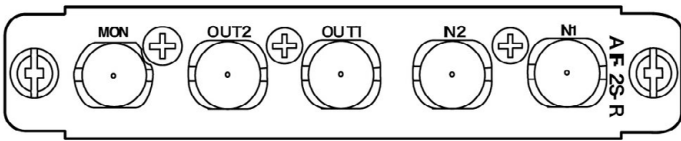
The bi-directional AIF-2S module supports the widely deployed AES3 digital audio standard which was originally developed by the European Broadcasting Union (EBU) and the Audio Engineering Society (AES). Following the AES-3id specification, the user interface (electrical) to the AIF-2S module is via a 75-ohm coax cable. Within the MD8000 network, each AES stream can have a single or multiple unique destinations. Each AES stream consumes 4.8Mb of bandwidth.

On the transmit side, the AIF-2S module accepts two channels of AES audio, encapsulates the signal into Ethernet frames with or without Forward Error Correction (FEC), and transfers them to the MD8000 SW-CNT modules. On the receive side, the AIF-2S module accepts Ethernet packets from the MD8000 Switch Controller (SW-CNT) and provides two unique audio outputs.

To improve audio transport reliability and resiliency, the AIF-2S module supports both Forward Error Correction (FEC) and Lossless/Hitless path protection switching. The front panel of the AIF-2S module features a comprehensive set of LEDs for monitoring the status and health of incoming and outgoing audio streams.

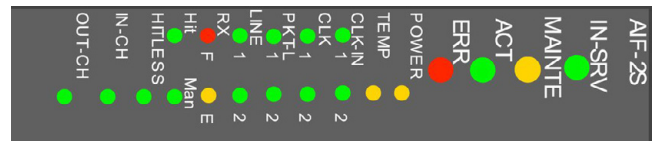


MD8000 - AIF-2S – 4 Port / 2 Services AES Audio Module Block Diagram



NAME	TYPE	DESCRIPTION
IN1	BNC (75 ohm)	AES / EBU Audio Input 1
IN2	BNC (75 ohm)	AES / EBU Audio Input 2
OUT1	BNC (75 ohm)	AES / EBU Audio Output 1
OUT2	BNC (75 ohm)	AES / EBU Audio Output 2
MON	BNC (75 ohm)	AES / EBU Input Monitor

Rear Board Connectors



NAME	CONDITION TO ILLUMINATE
IN-SRV	● Status Monitored
MAINT	● Under Maintenance
ACT	● Normal Operation
ERR	● Board Failure Detected
POWER	● Board Power Voltage Low (Warning)
TEMP	● Board Temperature High (Warning)
CLK-IN1/2	● Unused
CLK1/2	● Unused
PKT-L1/2	Input stream of the selected channel ● 1: Packet input from Line 1 ● 2: Packet input from Line 2
LINE1/2	SWCNT for the selected channel 1: SWCNT #1; 2: SWCNT #2
RX-F/E	● RX-F: Uncorrectable Error Detected ● RX-E: Correctable Error Detected
Hit/Man	● Hit: Hitless Switching mode ● Man: Manual Switching mode
Hitless	● Hitless Switching can be enabled
IN-CH	● Input Present at selected channel
OUT-CH	● Output Present at selected channel

Front Panel LEDs

FUNCTIONAL SPECIFICATIONS:

Input	Impedance	75 Ohm, unbalanced	AES-3id-1995
	Return Loss	25 dB or more (0.1 MHz-6.144 MHz)	
	Connectors	2x BNC 75 Ohm	
Output	Impedance	75 Ohm, unbalanced	AES-3id-1995
	Return Loss	25 dB or more (0.1 MHz-6.144 MHz)	
	Voltage	1.0 +- 0.2V	
	DC Offset	0 +- 50 mV	
	Connectors	2x BNC 75 Ohm	
Monitor Output	Connectors	BNC 75 Ohm	
Delay		8.6 ms	End to end with or without FCC
Bandwidth		4.8 Mb	FEC Off

ORDERING INFORMATION

MODEL	ORDER NUMBER	ORDER CODE
2-Port bi-directional AES/EBU Audio Interface Module	MD801007	AIF-2Sch-F

Media Links (Headquarters)
Kawasaki Tech Center 18F
580-16 Horikawa-cho,
Saiwai-ku, Kawasaki-shi,
Kanagawa 212-0013 Japan
Phone: +81 44-589-3440
query@medialinks.co.jp

Media Links Americas
431-C Hayden Station Road
Windsor, CT 06095
USA
Phone: +1 860-206-9163
Fax: +1 860-206-9165
info@medialinks.com

Media Links Australia
2-12 Rokeby Street,
Collingwood, VIC 3066,
Australia
Phone: +61 3-9017-0175
Fax: +61 3-8456-6339
info@medialinksaustralia.com.au

Media Links EMEA
Thremhall Park
Start Hill, Bishop's Stortford,
Herts CM22 7WE
United Kingdom
Phone: +44(0)1279 874371
emea_info@medialinks.com